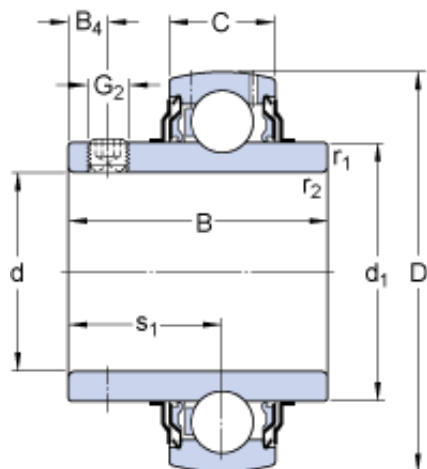




QM INDUSTRIES BEARING LIMITED



55.562 mm x 100 mm x 55.6 mm SKF YAR
211-203-2F CHINA Bearing 55.56*100*55.6

Bearing No. YAR 211-203-2F

Size	100x55.562x55.6 mm
Bore Diameter	100 mm
Outer Diameter	55,562 mm
Width	55,6 mm
d	55.562 mm
D	100 mm
B	55.6 mm
C	25 mm
d ₁	69.06 mm
B ₄	9 mm
r _{1,2} - min.	1 mm
s ₁	33.4 mm
Basic dynamic load rating - C	43.6 kN
Basic static load rating - C ₀	29 kN
Fatigue load limit - P _u	1.2 kN
Limiting speed with shaft tolerance h6	3600 r/min
Calculation factor - f ₀	14
Mass bearing	1.05 kg
Thread - G ₂ - 3/8-24 UNF	3/824 UNF
Hexagonal key size for grub screw - H	4.762 mm
Category	Insert Bearings Spherical OD
Inventory	0.0

YAR 211-203-2F Bearing 2D drawings and 3D CAD models



QM INDUSTRIES BEARING LIMITED

Manufacturer Name	SKF
Minimum Buy Quantity	N/A
Weight / Kilogram	1.049
EAN	7316577039187
Product Group	M06110
Inner Race Profile	Wide Inner Ring
Outer Race Profile	Spherical
Relubricatable	Yes
Seal Type	M Seal
Mounting Method	Set Screw
Rolling Element	Ball Bearing
Snap Ring	No
Long Description	2-3/16" Bore; Wide Inner Ring; Ball Bearing; 2.189" Length Thru Bore; 63/64" Outer Race Width; 3.937" Outside Diameter; Relubricatable; M Seal Seal; Set Screw Mounting Method
Inch - Metric	Inch
Other Features	Single Row Medium Duty Grub Screw Has Flinger
Category	Insert Bearings
UNSPSC	31171536
Harmonized Tariff Code	8482.10.50.00
Noun	Bearing
Keyword String	Insert
Manufacturer URL	http://www.skf.com
Manufacturer Item Number	YAR 211-203-2F
Weight / LBS	2.03
Length Thru Bore	2.189 Inch 55.601 Millimeter
Outer Race Width	0.984 Inch 24.994 Millimeter



QM INDUSTRIES BEARING LIMITED

Outside Diameter	3.937 Inch 100 Millimeter
Bore	2.188 Inch 55.575 Millimeter
bore diameter:	2.1875 in
radial dynamic load capacity:	43.6 kN
outside diameter:	3.9370 in
radial static load capacity:	29 kN
outer ring width:	25 mm
finish/coating:	Uncoated
inner ring width:	55.6 mm
maximum rpm:	3600 RPM
bore type:	Round
seal type:	Contact with Flinger
locking device:	Set Screw
d_1	69.06 mm
B_4	9 mm
$r_{1,2}$ min.	1 mm
s_1	33.4 mm
Basic dynamic load rating C	43.6 kN
Basic static load rating C_0	29 kN
Fatigue load limit P_u	1.25 kN
Limiting speed ¹⁾	3600 r/min
Calculation factor f_0	14
Mass complete bearing	1 kg
Thread grub screw G_2	3/8-24 UNF
Hexagonal key size for grub screw N	4.763 mm
Recommended tightening torque for grub screw	16.5 N · m