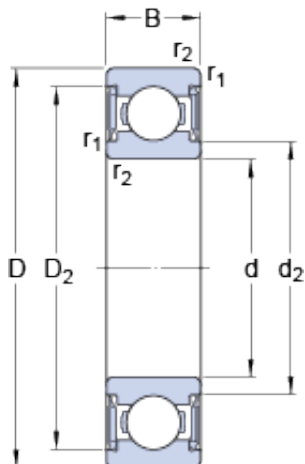




QM INDUSTRIES BEARING LIMITED



40 mm x 80 mm x 18 mm SKF W
6208-2RS1/VP311 CHINA Bearing 40X80X18

Bearing No. W 6208-2RS1/VP311

W 6208-2RS1/VP311 Bearing 2D drawings and 3D CAD models

Size	80x40x18 mm
Bore Diameter	80 mm
Outer Diameter	40 mm
Width	18 mm
d	40 mm
D	80 mm
B	18 mm
d ₂	50.1 mm
D ₂	70.78 mm
r _{1,2} - min.	1.1 mm
d _a - min.	46.5 mm
d _a - max.	50 mm
D _a - max.	73.5 mm
r _a - max.	1 mm
Basic dynamic load rating - C	25.1 kN
Basic static load rating - C ₀	17.6 kN
Fatigue load limit - P _u	0.75 kN
Limiting speed	5600 r/min
Calculation factor - k _r	0.03
Calculation factor - f ₀	14
d ₂	50.1 mm
D ₂	70.78 mm
r _{1,2} min.	1.1 mm
d _a min.	46.5 mm



QM INDUSTRIES BEARING LIMITED

d_a max.	50 mm
D_a max.	73.5 mm
r_a max.	1 mm
Basic dynamic load rating C	25.1 kN
Basic static load rating C_0	17.6 kN
Fatigue load limit P_u	0.75 kN
Calculation factor k_r	0.03
Calculation factor f_0	14
Mass bearing	0.36 kg